

ANM4 Series Moulded Case Circuit Breaker

1. Application

ANM4 series MCCB is applicable circuit of AC 50/60Hz, rated current up to 400A, for distribute energy of electricity & infrequent making & breaking circuit in normal conditions. The products conforms to IEC60947-2.



ANM4-125

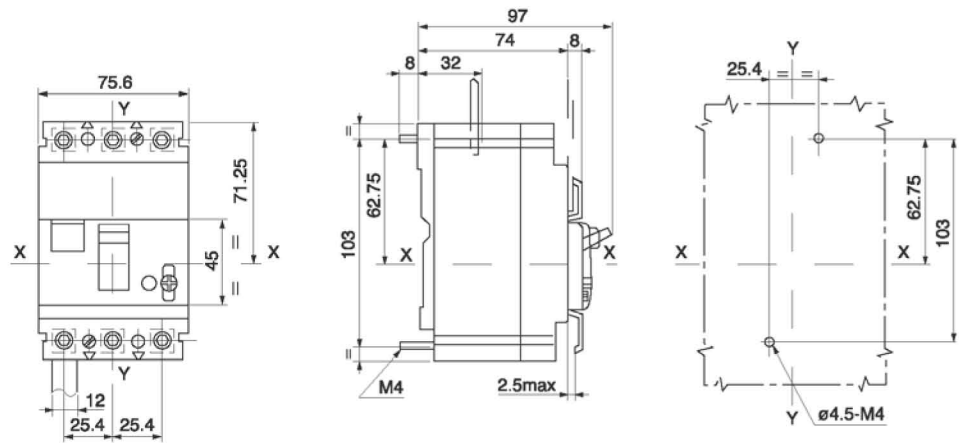


ANM4-250

2. Specification

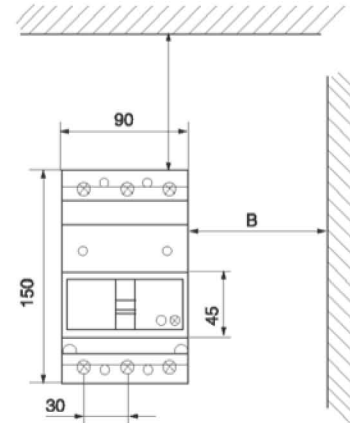
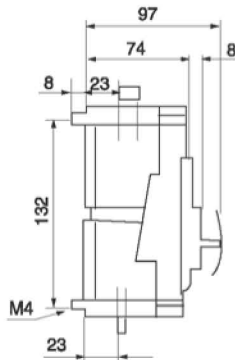
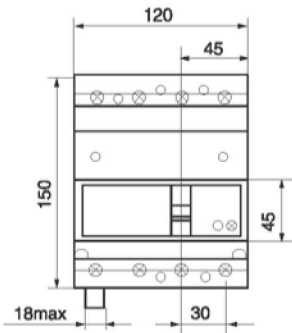
Type	ANM4-125	ANM4-160	ANM4-250	ANM4-400
Poles number	3	3	3	3
Rated current In(A)	25~125	25~160	125~250	125~400
Rated working voltage Ue(V) (50/60Hz)	500	500	600	600
Rated working voltage Ue===(V)	250	250	250	250
Rated insulation voltage Ui~(V)	500	500	690	690
Rated impulse voltage Uimp(kV)	6	6	8	8
Utilisation category	A	A	A	A
Rated limited short-circuit breaking capacity Icu(kA)	230/240V~	22	50	70
	400/415V~	16	36	40
	440V~	10	20	30
	480/500V~	8	14	25
	600V~	-	-	20
	690V~	-	-	16
	250V===	16	-	36
Rated short-circuit breaking service capacity Ics(%Icu)	100	100	100	100
Mechanical life	7000	7000	7000	5000
Electrical life	1000	100	1000	800

3. Outline and Installation Dimension

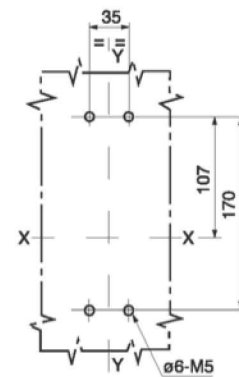
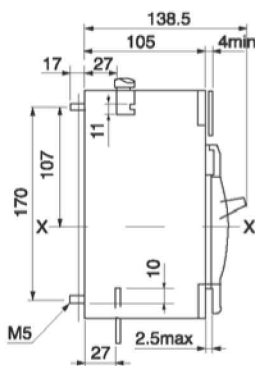
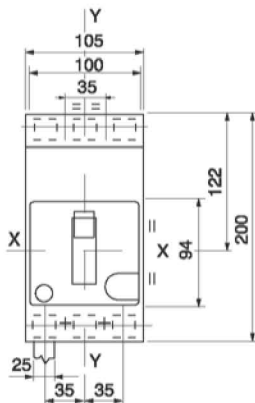


ANM4-125

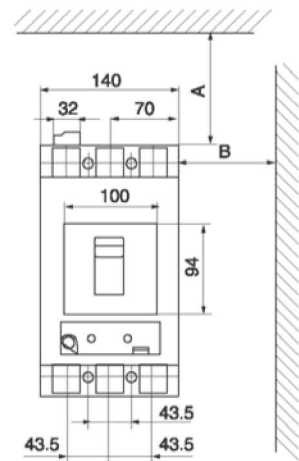
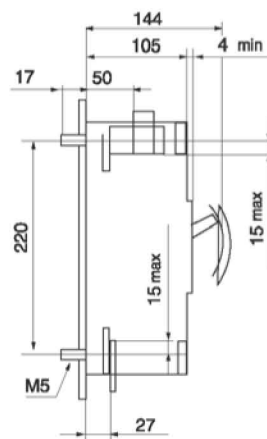
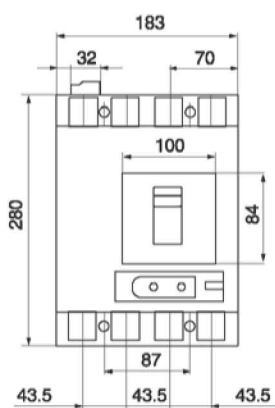
3. Outline and Installation Dimension



ANM4-160



ANM4-250



ANM4-400